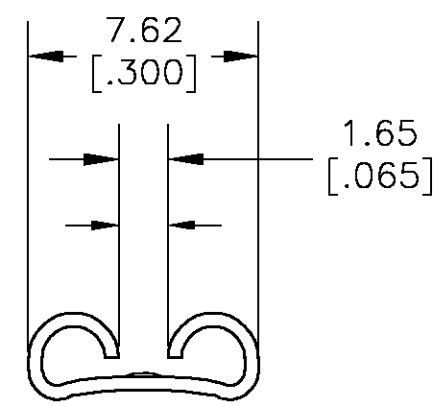
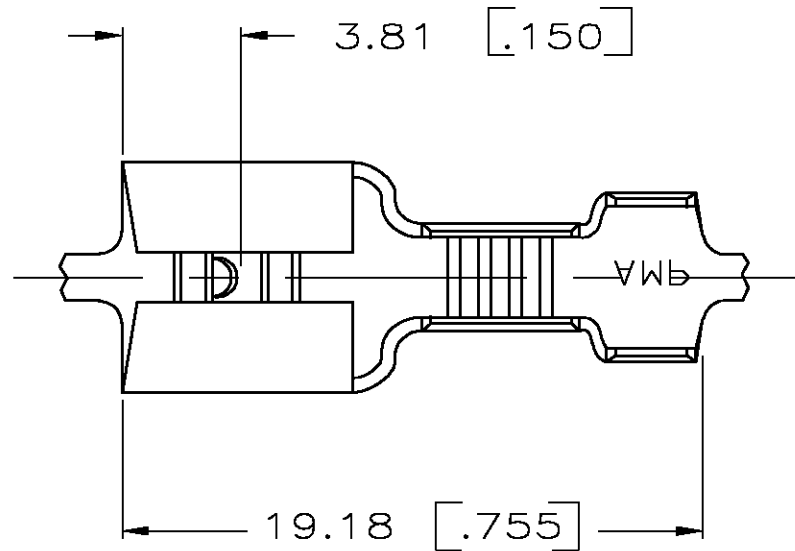


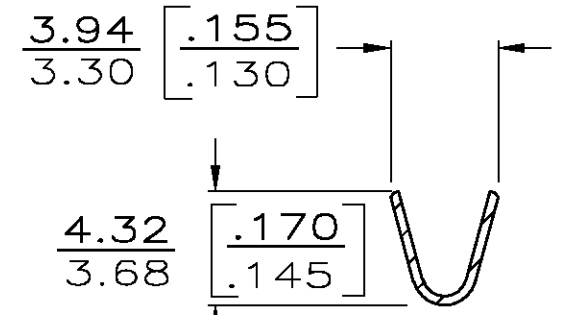
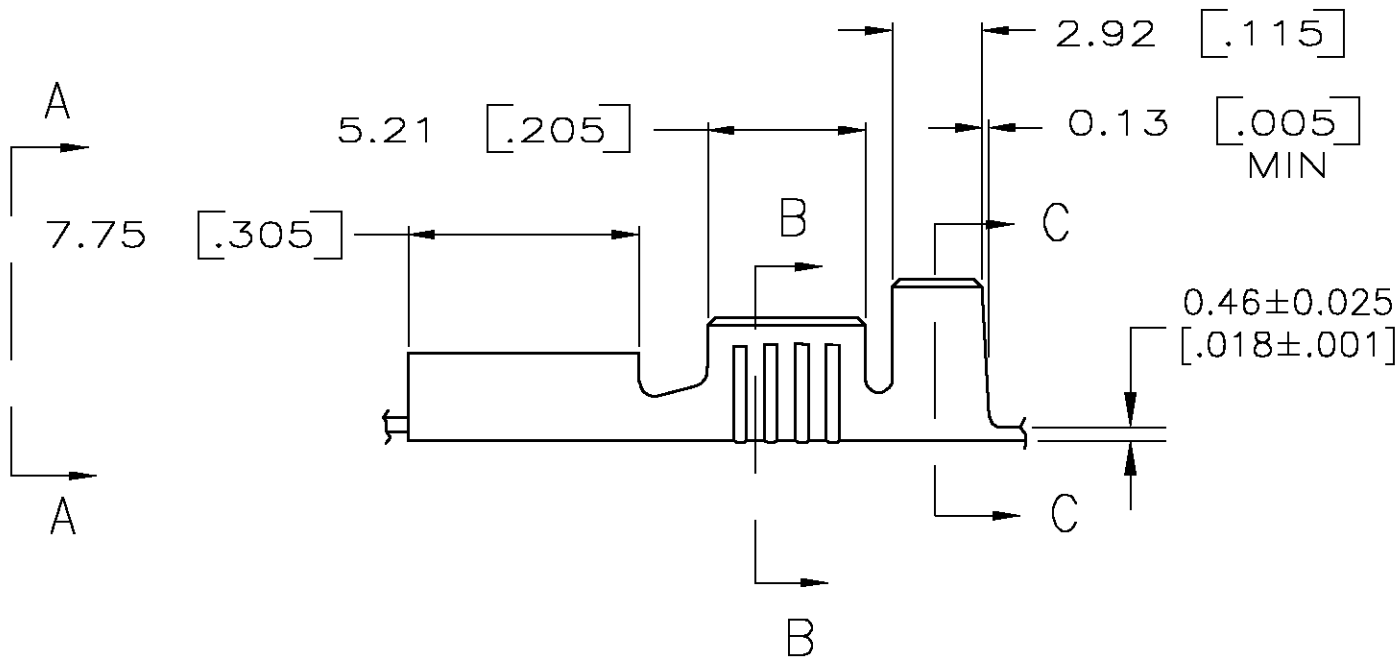
THIS DRAWING IS UNPUBLISHED. RELEASED FOR PUBLICATION
 © COPYRIGHT BY TYCO ELECTRONICS CORPORATION. ALL RIGHTS RESERVED.

LOC	DIST	REVISIONS					
AF	50	P	LTR	DESCRIPTION	DATE	DWN	APVD
			T	REV PER 0G3A-0495-04	24JUN04	JR	PD

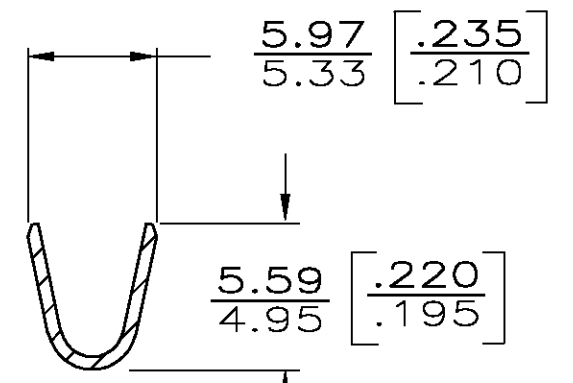
- 1 DIM'S IN BRACKETS ARE IN INCHES
- 2 CONTINUOUS STRIP ON REELS
- 3 WIRE SIZE 0.8-2.0mm [#18-#14] AWG
- 4 INSULATION RANGE IS 3.05-4.32 [.120-.170] DIA.
- 5 MATING TAB THK IS 0.81±0.025 [.032±.001].
- △ 6 0.38 X 15° [.015 X 15°] SWAGE ON FRONT OF RECEPTACLE. FOR FOREIGN PRODUCTION ONLY.



VIEW A-A



SECT B-B



SECT C-C

△ 6	41274-1
	41274
	PART NO.

F OR O	4.57 [.180]	6.4 [.252]	F	3.05 [.120]	1.90 [.075]	2.0mm [14]
					1.68 [.066]	1.3mm [16]
					1.55 [.06]	0.8mm [18]
TYPE	WIDTH	STRIP LENGTH ±.015	TYPE	WIDTH	±.051 [.002] HEIGHT	WIRE
INSUL BARREL CRIMP			WIRE BARREL CRIMP			

THIS DRAWING IS A CONTROLLED DOCUMENT.		DWN JR RUTH 2/5/86		Tyco Electronics Corporation Harrisburg, Pa 17105-3608	
DIMENSIONS: MM [INCHES]		CHK G YETTER 2/5/86		NAME	
TOLERANCES UNLESS OTHERWISE SPECIFIED:		APVD R KUZO 2/5/86	.250 SERIES FASTON RECEPTACLE		
		PRODUCT SPEC	SIZE CAGE CODE DRAWING NO RESTRICTED TO		
MATERIAL BRASS		APPLICATION SPEC	A3 00779 C-41274		
FINISH TIN PLATED		WEIGHT	SCALE 4:1 SHEET 1 OF 1 REV T		
		CUSTOMER DRAWING			